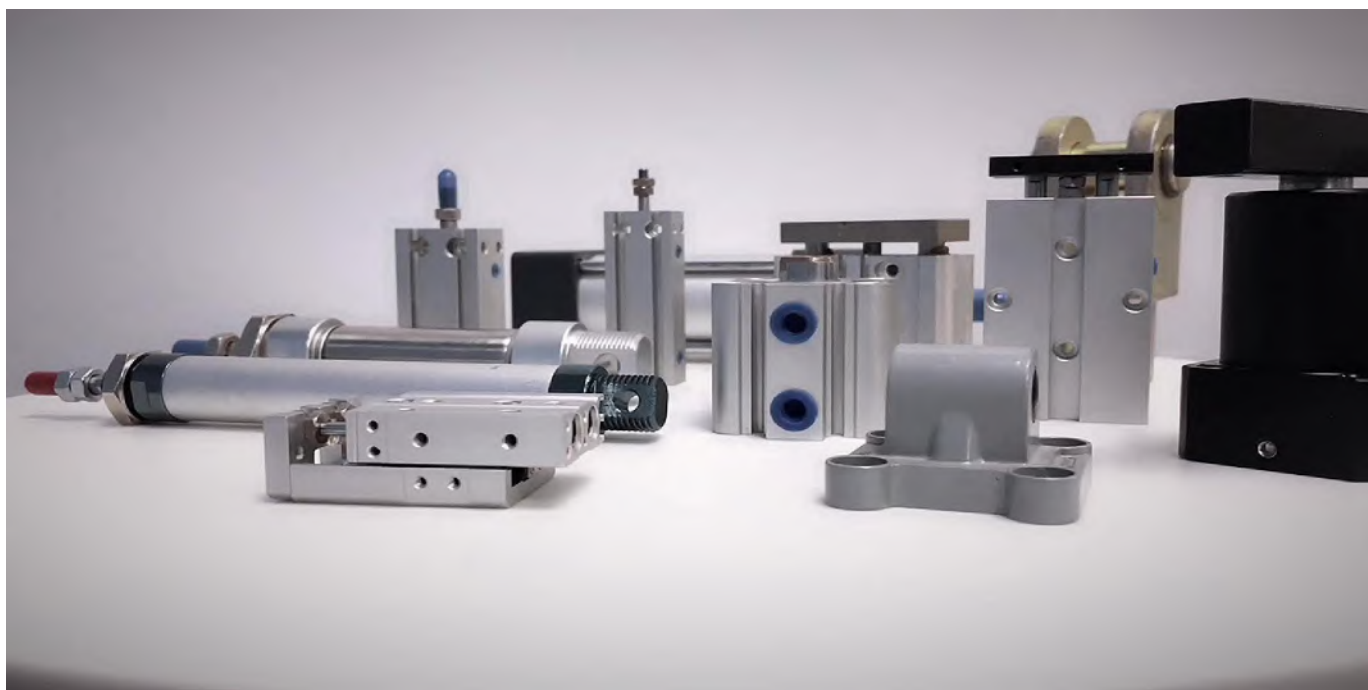


Fluid Solenoid Valve



Архангельск (8182)63-90-72
Астана (7172)727-132
Астрахань (8512)99-46-04
Барнаул (3852)73-04-60
Белгород (4722)40-23-64
Брянск (4832)59-03-52
Владивосток (423)249-28-31
Волгоград (844)278-03-48
Волгодга (8172)26-41-59
Воронеж (473)204-51-73
Екатеринбург (343)384-55-89

Иваново (4932)77-34-06
Ижевск (3412)26-03-58
Иркутск (395)279-98-46
Казань (843)206-01-48
Калининград (4012)72-03-81
Калуга (4842)92-23-67
Кемерово (3842)65-04-62
Киров (8332)68-02-04
Краснодар (861)203-40-90
Красноярск (391)204-63-61
Курск (4712)77-13-04
Липецк (4742)52-20-81

Магнитогорск (3519)55-03-13
Москва (495)268-04-70
Мурманск (8152)59-64-93
Набережные Челны (8552)20-53-41
Нижний Новгород (831)429-08-12
Новокузнецк (3843)20-46-81
Новосибирск (383)227-86-73
Омск (3812)21-46-40
Орел (4862)44-53-42
Оренбург (3532)37-68-04
Пенза (8412)22-31-16

Пермь (342)205-81-47
Ростов-на-Дону (863)308-18-15
Рязань (4912)46-61-64
Самара (846)206-03-16
Санкт-Петербург (812)309-46-40
Саратов (845)249-38-78
Севастополь (8692)22-31-93
Симферополь (3652)67-13-56
Смоленск (4812)29-41-54
Сочи (862)225-72-31
Ставрополь (8652)20-65-13

Сургут (3462)77-98-35
Тверь (4822)63-31-35
Томск (3822)98-41-53
Тула (4872)74-02-29
Тюмень (3452)66-21-18
Ульяновск (8422)24-23-59
Уфа (347)229-48-12
Хабаровск (4212)92-98-04
Челябинск (351)202-03-61
Череповец (8202)49-02-64
Ярославль (4852)69-52-93

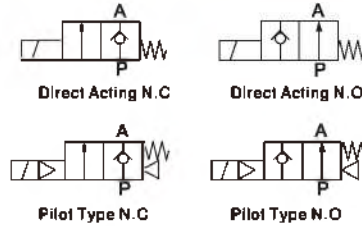
Киргизия (996)312-96-26-47 Казахстан (772)734-952-31 Россия (495)268-04-70

www.emc.nt-rt.ru || ech@nt-rt.ru

ELP Series Solenoid Valve

ELP

Solenoid Valve



How to Order ?

Series	Port Size	Orifice	Orifice	ID Code	Voltage	Cover Color	Valve Body Material	Seal Material	Thread Type
ELP		Blank; N.C. H: N.O.	015: 1.5mm 020: 2.0mm 030: 3.0mm 040: 4.0mm 150: 15mm 200: 20mm 250: 25mm	Blank: Standard Type N: Energy Saving Type	E1: AC110V E2: AC220V E4: DC24V E5: DC12V E7: AC24V	Blank: Black (only for DBK waterproof type) J: Colorless and translucent (only for DB type)	Blank: Brass	Blank: NBR E: EPDM V: VITON (Only VITON is available for 1/8", 1/4" port)	Blank: G P: PT T: NPT

(Note: If orifice size same with port size, omit the orifice size.)

Order Example:

ELP series solenoid valve, 1/2 port size, N.C., 15mm orifice, AC220V, black cover color, brass valve body, NBR seal, G thread, ERP code is: **ELP15E2**

Product Features

- * 2/2 solenoid valve, brass valve body, compact design, saving space.
- * Three types seals are optional, including NBR, EPDM and VITON, catering to different medium requirements.
- * Direct acting solenoid valve with VITON seal, 4 pressure types are optional: standard, high pressure, ultra high pressure and large flow type.
- * Well sealed water proof connector, protection grade of IP65.
- * Reduce power consumption up to 80%.

Specifications

Model	Direct Acting N.C.								Direct Acting N.O.							
	ELP06-015-V	ELP08-015-V	ELP06-020-V	ELP08-020-V	ELP06-030-V	ELP08-030-V	ELP06-040-V	ELP08-040-V	ELP06H-015-V	ELP08H-015-V	ELP06H-020-V	ELP08H-020-V	ELP06H-030-V	ELP08H-030-V	ELP06H-040-V	ELP08H-040-V
Port Size	1/8"	1/4"	1/8"	1/4"	1/8"	1/4"	1/8"	1/4"	1/8"	1/4"	1/8"	1/4"	1/8"	1/4"	1/8"	1/4"
Orifice (mm) (ø)	1.5		2		3		4		1.5		2		3		4	
Cv	0.1		0.18		0.33		0.55		0.1		0.18		0.33		0.55	
Pressure Difference (Bar)	0-30		0-20		0-13		0-8		0-30		0-16		0-8		0-5	
Acting Type	Direct Acting NC								Direct Acting NO							
Power consumption	Standard type: AC15VA DC16W Low power type: AC4VA DC3W AC110V:7.0VA								Standard type: AC12VA DC16W Low power type: AC4VA DC3W AC110V:7.0VA							
Guaranteed Pressure (Bar)	45															
Medium	Air, Water, Hot water, Oil (≤20CST)															
Working Temperature (°C)	-20-80 (No freezing)															
Voltage Range	-15-10%															
Insulations	F Class															
Protection grade	IP65(DIN40050)															
Valve Body Material	Brass															
Seal Material	VITON only															

⊕ G, PT, NPT thread type is optional.

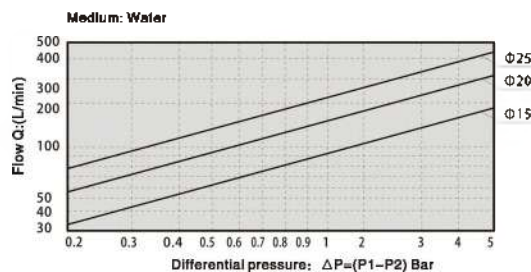
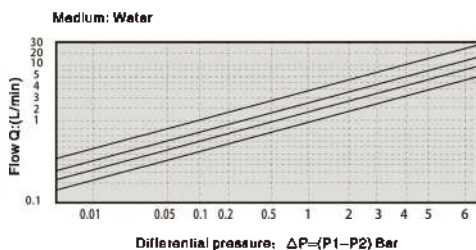
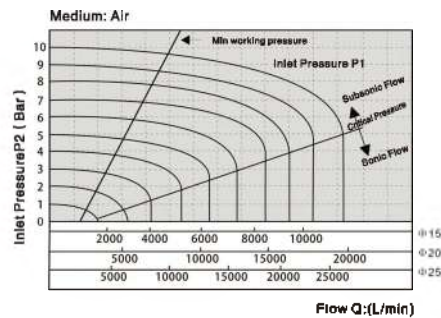
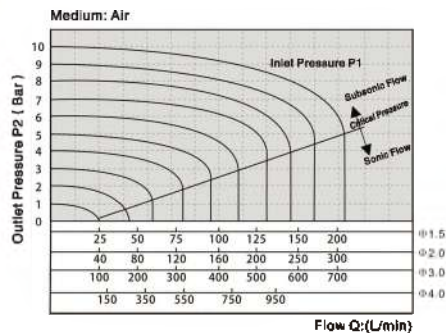
ELP Series Solenoid Valve

Specifications

Model	Pilot Type N.C.				Pilot Type N.O.			
	ELP10-150	ELP15	ELP20	ELP25	ELP10H-150	ELP15H	ELP20H	ELP25H
Port Size (ø)	3/8"	1/2"	3/4"	1"	3/8"	1/2"	3/4"	1"
Orifice (mm)	15		20	25	15		20	25
Cv	5.0	5.5	8.5	12.5	5.0	5.5	8.5	12.5
Pressure Difference (Bar)	0.5-16				0.5-13			
Acting Type	Diaphragm pilot type N.C.				Diaphragm pilot type N.O.			
Power consumption	Standard type: AC:15VA DC10W Low power type: AC:4VA DC3W AC110V:7.0VA				Standard type: AC:12VA DC10W Low power type: AC:4VA DC3W AC110V:7.0VA			
Guaranteed Pressure (Bar)	25				20			
Medium	Air, Water, Hot water, Oil (≤20°CST)							
Working Temperature (°C)	-20 - 60 (No freezing)							
Voltage Range	-15 - 10%							
Insulations	F Class							
Protection grade	IP65(DIN40050)							
Valve Body Material	Brass							
Seal Material	NBR, EPDM, VITON							

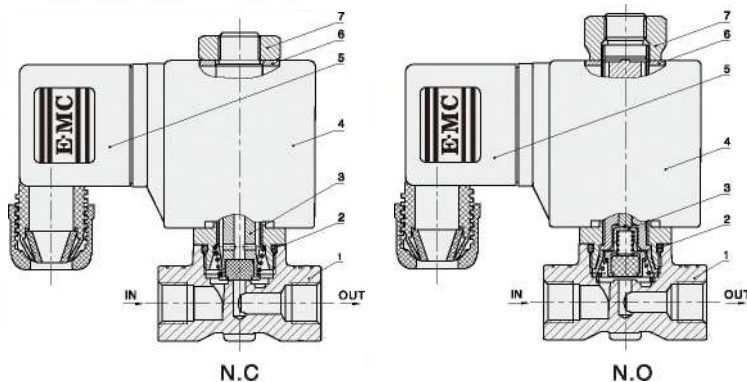
⌀ G, PT, NPT thread type is optional.

Flow Chart



Internal Structure

ELP06/08 Direct Acting Type:

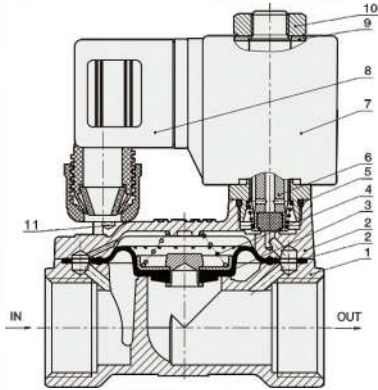


No.	Part Name
1	Valve Body
2	O-ring
3	Iron Core Components
4	Coil
5	Water Proof Connector
6	Internal Teeth Washer
7	Hexagon nut

ELP Series Solenoid Valve

Internal Structure

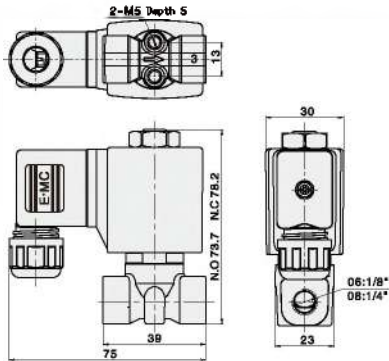
Pilot Type



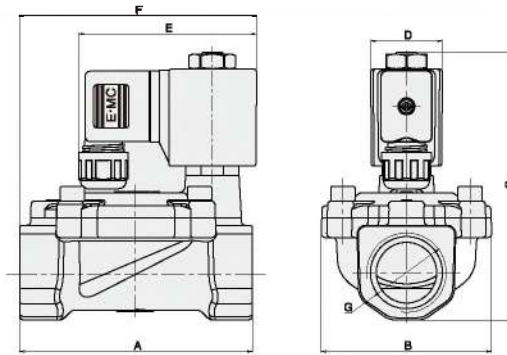
No.	Part Name
1	Valve Body
2	Spacer
3	Diaphragm Components
4	Spring
5	O-ring
6	Iron Core Components
7	Coil
8	Water Proof Connector
9	Gasket
10	Internal Teeth Washer
11	Screw

Mounting Dimension

ELP06/08 Direct Acting Type



Pilot Type



Model	A	B	C		D	E	F	G(Port)
			N.C	N.O				
ELP10	66	47	95	99.2	30	74	74	3/8"
ELP15	66	47	95	99.2	30	74	74	1/2"
ELP20	75	56	102	106.2	30	74	79	3/4"
ELP25	96	71	111	115.2	30	74	98	1"

ZS Series 2/2 Solenoid Valve(Normal Close)

ZS

2/2 Solenoid Valve (N.C.)



Product Features

- * Normal close/Normal open, available body: brass, SS304, SS316
- * Multiple seals are available for different medium
- * To reduce the power consumption of 80% energy-saving
- * Wide size range from 1/8" to 2", with both thread and flange connection
- * Diaphragm pilot solenoid valve, with lower working pressure (10mm is special)

How to Order?

Series No.	Port size	Original status	Orifice	ID Code	Voltage	Valve body material	Seal material	Thread type
ZS: Thread connection ZSF: Flange connection		Blank: NC H: NO		Blank: Standard type N: Low power type		Blank: Brass S1: SS316 S2: SS304	Blank: NBR E: EPDM V: VITON Si: Silicon (smaller than $\Phi 25\text{mm}$ is optional)	Blank: G P: PT T: NPT
	06: 1/8"		025: 2.5mm		E1: AC110V E6: AC36V			
	08: 1/4"		025: 2.5mm 100: 10mm		E2: AC220V E7: AC24V			
	10: 3/8"		040: 4mm 160: 16mm		E3: AC380V E8: DC110V			
			100: 10mm		E4: DC24V E9: DC48V			
	15: 1/2"		100: 10mm 180: 18mm		E5: DC12V E10: DC36V			
	20: 3/4"		200: 20mm					
	25: 1"		250: 25mm					
	32: 1-1/4"		350: 35mm					
	40: 1-1/2"		400: 40mm					
	50: 2"		500: 50mm					
	Flange connection		250: 25mm 650: 65mm					
			320: 32mm 800: 80mm					
			400: 40mm 1000: 100mm					
			500: 50mm					

(Note: cancel if same with port size)

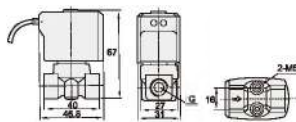
Order Example:

ZS series solenoid valve, 1/2" port size, NC, 16mm orifice, standard type, AC110V, Brass valve body, NBR seal, G thread, ERP code is: ZS15-160E1

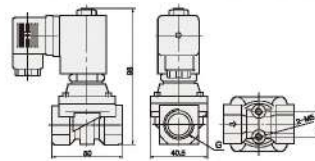
Note: 2.5mm small orifice valve only with flying leads coil, other orifice with DIN connector coil.

Main Dimension

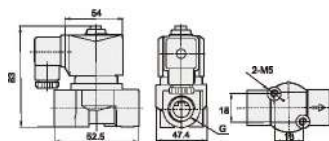
$\Phi 2.5\text{mm}$ 1/8" 1/4"



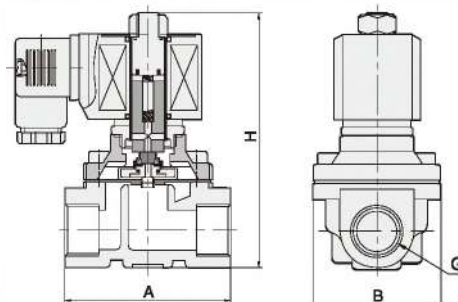
10mm, 1/4", 3/8", 1/2"



$\Phi 4\text{mm}$ 3/8"



Large diameter



ZS-H Series 2/2 Solenoid Valve(Normal Open)

ZS-H

2/2 Solenoid Valve (N.O.)



ZS-10H

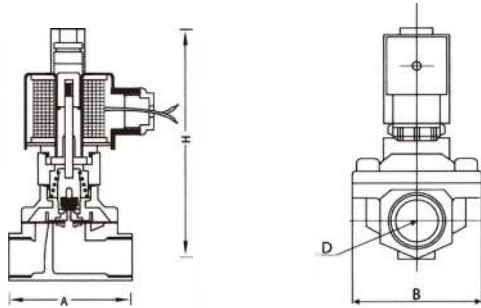


ZS-15HS2

Product Features

- * 2/2 ways Solenoid valve, Normally open. Copper and stainless steel 304 valve selection
- * Multiple seals are available for different medium
- * Wide size range from 3/8" to 2", with both thread and flange connection
- * Diaphragm pilot solenoid valve, with lower working pressure
- * To reduce the power consumption of 80% energy-saving

Main Dimension



Specifications

Port size	Orifice (mm)	CV value	Pressure difference (Bar)								The maximum temperature of fluid (°C)	ZSH			Order code 220VAC 50/60HZ		Main dimension Length x Width x Height A x B x H (mm)
			Min. pressure	Max. working pressure				AC	DC	W		W	Brass	Stainless steel 304			
				Air, Gas	Water, Hot water, Liquid	Light oil <20CST	AC								DC	AC220	
3/8"	4.0	0.6	0	5	3	5	3	3	3	80	33	20	4	ZS10H-040E2	ZS10H-040E2E	52.5 x 32.5 x 115	
	4.0	0.6	0	5	3	5	3	-	-	120	33	20	4	ZS10H-040E2E	ZS10H-040E2E2E	52.5 x 32.5 x 115	
	4.0	0.6	0	5	3	5	3	3	3	120	33	20	4	ZS10H-040E2V	ZS10H-040E2E2V	52.5 x 32.5 x 115	
	16	4.8	0	6	3	3	5	3	3	80	33	20	4	ZS10H-160E2	ZS10H-160E2E	66 x 67 x 135	
	16	4.8	0	6	3	3	5	-	-	120	33	20	4	ZS10H-160E2E	ZS10H-160E2E2E	66 x 67 x 135	
	16	4.8	0	6	3	3	5	3	3	120	33	20	4	ZS10H-160E2V	ZS10H-160E2E2V	66 x 67 x 135	
1/2"	16	4.8	0	5	3	5	3	3	3	80	33	20	4	ZS15H-160E2	ZS15H-160E2E	66 x 67 x 135	
	16	4.8	0	6	3	6	3	-	-	120	33	20	4	ZS15H-160E2E	ZS15H-160E2E2E	66 x 67 x 135	
	16	4.8	0	6	3	6	3	3	3	120	33	20	4	ZS15H-160E2V	ZS15H-160E2E2V	66 x 67 x 135	
	20	7.6	0	5	3	5	3	3	3	80	33	20	4	ZS20HE2	ZS20HE2E	73 x 57 x 142	
	20	7.6	0	5	3	5	3	-	-	120	33	20	4	ZS20HE2E	ZS20HE2E2E	73 x 57 x 142	
	20	7.6	0	6	3	6	3	3	3	120	33	20	4	ZS20HE2V	ZS20HE2E2V	73 x 57 x 142	
1"	25	12	0	6	3	6	3	3	3	80	33	20	4	ZS25HE2	ZS25HE2E	96 x 77.5 x 150	
	25	12	0	5	3	5	3	-	-	120	33	20	4	ZS25HE2E	ZS25HE2E2E	96 x 77.5 x 150	
	25	12	0	5	3	5	3	3	3	120	33	20	4	ZS25HE2V	ZS25HE2E2V	96 x 77.5 x 150	
	32	24	0	6	3	6	3	3	3	80	70	55	-	ZS32HE2	ZS32HE2E	112 x 86.5 x 180	
	32	24	0	6	3	6	3	-	-	120	70	55	-	ZS32HE2E	ZS32HE2E2E	112 x 86.5 x 180	
	32	24	0	6	3	6	3	3	3	120	70	55	-	ZS32HE2V	ZS32HE2E2V	112 x 86.5 x 180	
1-1/2"	40	26	0	5	3	5	3	3	3	80	70	55	-	ZS40HE2	ZS40HE2E	123 x 94 x 190	
	40	26	0	6	3	6	3	-	-	120	70	55	-	ZS40HE2E	ZS40HE2E2E	123 x 94 x 190	
	40	26	0	6	3	6	3	3	3	120	70	55	-	ZS40HE2V	ZS40HE2E2V	123 x 94 x 190	
	50	46	0	5	3	5	3	3	3	80	70	55	-	ZS50HE2	ZS50HE2E	168 x 123 x 216	
	50	46	0	5	3	5	3	-	-	120	70	55	-	ZS50HE2E	ZS50HE2E2E	168 x 123 x 216	
	50	46	0	6	3	6	3	3	3	120	70	55	-	ZS50HE2V	ZS50HE2E2V	168 x 123 x 216	
Flange 4 hole	25	12	0	6	3	6	3	3	3	80	57	32	6	-	ZSF25HE2S2	140 x 115 x 180	
	25	12	0	6	3	6	3	-	-	120	57	32	6	-	ZSF25HE2S2E	140 x 115 x 180	
	25	12	0	5	3	5	3	3	3	120	57	32	6	-	ZSF25HE2S2V	140 x 115 x 180	
	32	24	0	6	3	6	3	3	3	80	70	55	-	-	ZSF32HE2S2	152 x 135 x 235	
	32	24	0	6	3	6	3	-	-	120	70	55	-	-	ZSF32HE2S2E	152 x 135 x 235	
	32	24	0	6	3	6	3	3	3	120	70	55	-	-	ZSF32HE2S2V	152 x 135 x 235	
	40	26	0	5	3	5	3	3	3	120	70	55	-	-	ZSF40HE2S2	152 x 145 x 240	
	40	26	0	6	3	6	3	-	-	120	70	55	-	-	ZSF40HE2S2E	152 x 145 x 240	
	40	26	0	6	3	6	3	3	3	120	70	55	-	-	ZSF40HE2S2V	152 x 145 x 240	
	50	46	0	5	3	5	3	3	3	80	70	55	-	-	ZSF50HE2S2	195 x 160 x 255	
	50	46	0	5	3	5	3	-	-	120	70	55	-	-	ZSF50HE2S2E	195 x 160 x 255	
	50	46	0	6	3	6	3	3	3	120	70	55	-	-	ZSF50HE2S2V	195 x 160 x 255	

SLP Series 2/2 Solenoid Valve(Normal Close)

SLP

2/2 Solenoid Valve (N.C.)



SLP



SLP-S1



SLPF-S1

Product Features

- * Normal close, available body: brass, SS316
- * Multiple seals are available for different medium
- * Wide size range from 1/8" to 2" , with both thread and flange connection
- * Diaphragm pilot solenoid valve, with lower working pressure
- * To reduce the power consumption of 80% energy-saving

How to Order?

Series No.	Port Size	Original Status— Orifice	ID Code	Voltage	Valve Body Material	Seal Material	Thread Type
SLP: Thread connection SLPF: Flange connection		Blank: NC H: NO	Blank: Standard type N: Low power type		Blank: Brass S1: SS316	Blank: NBR E: EPDM V: VITON	Blank: G P: PT T: NPT
08: 1/8"		010: 1mm	050: 3mm	E1: AC110V	E6: AC36V		
08: 1/4"		015: 1.5mm	105: 10.5mm	E2: AC220V	E7: AC24V		
		025: 2.5mm	130: 13mm	E3: AC380V	E8: DC110V		
10: 3/8"		015: 1.5mm	040: 4mm	E4: DC24V	E9: DC48V		
15: 1/2"		030: 3mm	130: 13mm	E5: DC12V	E10: DC36V		
20: 3/4"		105: 10.5mm	130: 13mm				
25: 1"		200: 20mm					
32: 1-1/4"		250: 25mm					
40: 1-1/2"		350: 35mm					
50: 2"		400: 40mm					
		500: 50mm					
Flange connection		250: 25mm	050: 65mm				
		350: 35mm	800: 80mm				
		400: 40mm	1000: 100mm				
		500: 50mm					

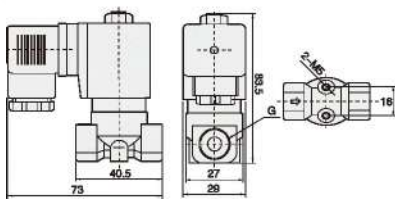
(Note: cancel if same with port size)

Order Example:

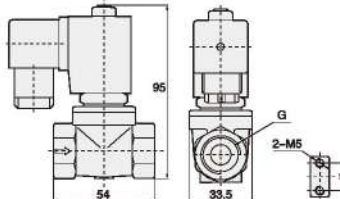
SLP series solenoid valve, 1/2 port size, NC, 13mm orifice, standard type, AC110V.
Brass valve body, NBR seal, G thread, ERP code is: SLP15-130E1

Main Dimension

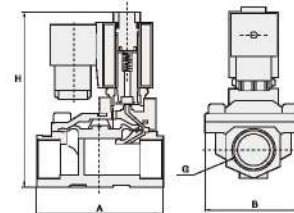
Φ3mm, Φ4mm, 1/8", 1/4", 3/8"



Φ10.5mm, 1/4", 3/8", 1/2"



Large diameter



SLP Series 2/2 Solenoid Valve(Normal Close)

Specifications

Port size (G)	Orifice (mm)	CV value	Pressure difference (Bar)				Max. temperature (°C)	Power		Order code 220VAC 50/60Hz		Main dimension Length x Width x Height AxBxH(mm)
			Min. pressure	Max. working pressure				VA 220	W DC 24V	Brass	Stainless steel	
				Air, Gas	Water, Hot water, Liquid	Light oil ≤20CST						
1/8"	3	0.23	0	13	13	10	80	22	13	SLP08-030E2	SLP08-030E2S1	
	3	0.23	0	13	13	-	130	22	13	SLP08-030E2E	SLP08-030E2S1E	
	3	0.23	0	13	13	10	120	22	13	SLP08-030E2V	SLP08-030E2S1V	
1/4"	3	0.23	0	13	13	10	80	22	13	SLP08-030E2	SLP08-030E2S1	
	3	0.23	0	13	13	-	130	22	13	SLP08-030E2E	SLP08-030E2S1E	
	3	0.23	0	13	13	10	120	22	13	SLP08-030E2V	SLP08-030E2S1V	
	10.5	1.47	0	10	10	10	80	22	13	SLP08-105E2	---	
	10.5	1.47	0	10	10	-	130	22	13	SLP08-105E2E	---	
	10.5	1.47	0	10	10	10	120	22	13	SLP08-105E2V	---	
3/8"	3	0.3	0	13	13	10	80	22	13	SLP10-030E2	SLP10-030E2S1	
	3	0.3	0	13	13	10	130	22	13	SLP10-030E2E	SLP10-030E2S1E	
	3	0.3	0	13	13	10	120	22	13	SLP10-030E2V	SLP10-030E2S1V	
	4	0.6	0	8	8	8	80	22	13	SLP10-040E2	SLP10-040E2S1	
	4	0.6	0	8	8	8	130	22	13	SLP10-040E2E	SLP10-040E2S1E	
	4	0.6	0	8	8	8	120	22	13	SLP10-040E2V	SLP10-040E2S1V	
	10.5	1.68	0	10	10	10	80	22	13	SLP10-105E2	---	
	10.5	1.68	0	10	10	-	130	22	13	SLP10-105E2E	---	
	10.5	1.68	0	10	10	10	120	22	13	SLP10-105E2V	---	
	13	4.5	0.5	16	16	13	80	22	13	SLP10-130E2	SLP10-130E2S1	86 x 48 x 112
	13	4.5	0.5	16	16	13	130	22	13	SLP10-130E2E	SLP10-130E2S1E	86 x 48 x 112
	13	4.5	0.5	16	16	13	120	22	13	SLP10-130E2V	SLP10-130E2S1V	86 x 48 x 112
1/2"	10.5	1.75	0	10	10	10	80	22	13	SLP15-105E2	---	
	10.5	1.75	0	10	10	-	130	22	13	SLP15-105E2E	---	
	10.5	1.75	0	10	10	10	120	22	13	SLP15-105E2V	---	
	13	4.5	0.5	16	16	13	80	22	13	SLP15-130E2	SLP15-130E2S1	86 x 48 x 112
	13	4.5	0.5	16	16	13	130	22	13	SLP15-130E2E	SLP15-130E2S1E	86 x 48 x 112
	13	4.5	0.5	16	16	13	120	22	13	SLP15-130E2V	SLP15-130E2S1V	86 x 48 x 112
3/4"	20	7.6	0.5	16	16	13	80	22	13	SLP20E2	SLP20E2S1	75 x 58 x 118
	20	7.6	0.5	16	16	13	130	22	13	SLP20E2E	SLP20E2S1E	75 x 58 x 118
	20	7.6	0.5	16	16	13	120	22	13	SLP20E2V	SLP20E2S1V	75 x 58 x 118
1"	25	12	0.5	16	16	13	80	22	13	SLP25E2	SLP25E2S1	96 x 70 x 131
	25	12	0.5	16	16	13	130	22	13	SLP25E2E	SLP25E2S1E	96 x 70 x 131
	25	12	0.5	16	16	13	120	22	13	SLP25E2V	SLP25E2S1V	96 x 70 x 131
1-1/4"	35	22	0.5	16	16	13	80	22	13	SLP32-350E2	---	131 x 96 x 146
	35	22	0.5	16	16	13	130	22	13	SLP32-350E2E	---	131 x 96 x 146
	35	22	0.5	16	16	13	120	22	13	SLP32-350E2V	---	131 x 96 x 146
1-1/2"	40	30	0.5	16	16	13	80	22	13	SLP40E2	SLP40E2S1	131 x 96 x 146
	40	30	0.5	16	16	13	130	22	13	SLP40E2E	SLP40E2S1E	131 x 96 x 146
	40	30	0.5	16	16	13	120	22	13	SLP40E2V	SLP40E2S1V	131 x 96 x 146
2"	50	48	0.5	16	16	13	80	22	13	SLP50E2	SLP50E2S1	165 x 120 x 167
	50	48	0.5	16	16	13	130	22	13	SLP50E2E	SLP50E2S1E	165 x 120 x 167
	50	48	0.5	16	16	13	120	22	13	SLP50E2V	SLP50E2S1V	165 x 120 x 167
Flange connection	25	12	0.5	16	16	13	80	22	13	---	---	134 x 110 x 160
	25	12	0.5	16	16	13	130	22	13	---	---	134 x 110 x 160
	25	12	0.5	16	16	13	120	22	13	---	---	134 x 110 x 160
Flange connection	35	22	0.5	16	16	13	80	22	13	---	---	160 x 136 x 175
	35	22	0.5	16	16	13	130	22	13	---	---	160 x 136 x 175
	35	22	0.5	16	16	13	120	22	13	---	---	160 x 136 x 175
Flange connection	40	30	0.5	16	16	13	80	22	13	---	---	160 x 145 x 180
	40	30	0.5	16	16	13	130	22	13	---	---	160 x 145 x 180
	40	30	0.5	16	16	13	120	22	13	---	---	160 x 145 x 180
Flange connection	50	48	0.5	16	16	13	80	22	13	---	---	200 x 160 x 207
	50	48	0.5	16	16	13	130	22	13	---	---	200 x 160 x 207
	50	48	0.5	16	16	13	120	22	13	---	---	200 x 160 x 207
Flange connection	65	52	0.5	12	12	8	80	33	20	---	---	250 x 186 x 250
	65	52	0.5	12	12	8	120	33	20	---	---	250 x 186 x 250
	65	52	0.5	12	12	8	120	33	20	---	---	250 x 186 x 250
Flange connection	80	80	0.5	12	12	8	80	33	20	---	---	270 x 202 x 262
	80	80	0.5	12	12	8	120	33	20	---	---	270 x 202 x 262
	80	80	0.5	12	12	8	120	33	20	---	---	270 x 202 x 262
Flange connection	100	128	0.5	12	12	8	80	33	20	---	---	342 x 222 x 287
	100	128	0.5	12	12	8	120	33	20	---	---	342 x 222 x 287
	100	128	0.5	12	12	8	120	33	20	---	---	342 x 222 x 287

SLP-H Series 2/2 Solenoid Valve(Normal Open)

SLP-H

2/2 Solenoid Valve (N.O.)

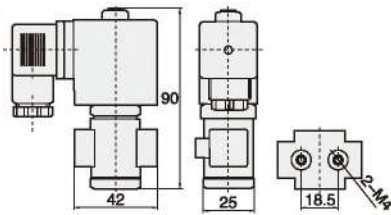


Product Features

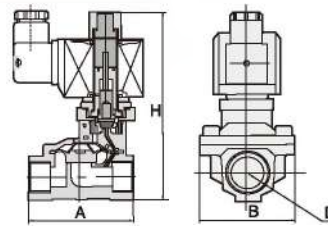
- * Normal open, available body: brass, SS316
- * Multiple seals are available for different medium
- * Wide size range from 1/8" to 2" , with both thread and flange connection
- * Diaphragm pilot solenoid valve, with lower working pressure
- * To reduce the power consumption of 80% energy-saving

Main Dimension

Φ1-Φ3mm 1/8" 1/4"



Large diameter



Specifications

Port size (G)	Orifice (mm)	CV value	Pressure difference (Bar)				Max. temperature (°C)	Power		Model		Main dimension Length x Width x Height AxBxH(mm)
			Min. pressure	Max. working pressure				VA	W	220VAC 50/60Hz		
				Air, Gas	Water, Hot water, Liquid	Light oil ≤20CST				Brass	Stainless steel	
1/8"	1	0.04	0	30	30	25	80	22	13	SLP06H-010E2	SLP06H-010E2S1	
	1	0.04	0	30	30	-	130	22	13	SLP06H-010E2E	SLP06H-010E2S1E	
	1	0.04	0	30	30	25	120	22	13	SLP06H-010E2V	SLP06H-010E2S1V	
	1.5	0.09	0	20	20	15	80	22	13	SLP06H-015E2	SLP06H-015E2S1	
	1.5	0.09	0	20	20	-	130	22	13	SLP06H-015E2E	SLP06H-015E2S1E	
	1.5	0.09	0	20	20	15	120	22	13	SLP06H-015E2V	SLP06H-015E2S1V	
	2.5	0.2	0	15	15	12	80	22	13	SLP06H-025E2	SLP06H-025E2S1	
	2.5	0.2	0	15	15	-	130	22	13	SLP06H-025E2E	SLP06H-025E2S1E	
	2.5	0.2	0	15	15	12	120	22	13	SLP06H-025E2V	SLP06H-025E2S1V	
1/4"	3	0.25	0	12	12	10	80	22	13	SLP06H-030E2	SLP06H-030E2S1	
	3	0.25	0	12	12	-	130	22	13	SLP06H-030E2E	SLP06H-030E2S1E	
	3	0.25	0	12	12	10	120	22	13	SLP06H-030E2V	SLP06H-030E2S1V	
	1	0.04	0	30	30	25	80	22	13	SLP06H-010E2	SLP06H-010E2S1	
	1	0.04	0	30	30	-	130	22	13	SLP06H-010E2E	SLP06H-010E2S1E	
	1	0.04	0	30	30	25	120	22	13	SLP06H-010E2V	SLP06H-010E2S1V	
	1.5	0.09	0	20	20	15	80	22	13	SLP06H-015E2	SLP06H-015E2S1	
	1.5	0.09	0	20	20	-	130	22	13	SLP06H-015E2E	SLP06H-015E2S1E	
	1.5	0.09	0	20	20	15	120	22	13	SLP06H-015E2V	SLP06H-015E2S1V	
1/4"	2.5	0.2	0	15	15	12	80	22	13	SLP06H-025E2	SLP06H-025E2S1	
	2.5	0.2	0	15	15	-	130	22	13	SLP06H-025E2E	SLP06H-025E2S1E	
	2.5	0.2	0	15	15	12	120	22	13	SLP06H-025E2V	SLP06H-025E2S1V	
	3	0.25	0	12	12	10	80	22	13	SLP06H-030E2	SLP06H-030E2S1	
	3	0.25	0	12	12	-	130	22	13	SLP06H-030E2E	SLP06H-030E2S1E	
	3	0.25	0	12	12	10	120	22	13	SLP06H-030E2V	SLP06H-030E2S1V	

SLP-H Series 2/2 Solenoid Valve(Normal Open)

Specifications

Port size (G)	Orifice (mm)	CV value	Pressure difference (Bar)				Max. temperature (°C)	Power		Order code		Main dimension Length x Width x Height AxBxH(mm)
			Max. working pressure			VA		W	220VAC	50/60Hz		
			Mn. pressure	Air, Gas	Water, Hot water, Liquid						Light oil ≤20CST	
3/8"	13	4.5	0.5	13	13	8	80	22	13	SLP10H-130E2	SLP10H-130E2S1	66 x 48 x 124
	13	4.5	0.5	13	13		120	22	13	SLP10H-130E2E	SLP10H-130E2S1E	66 x 48 x 124
	13	4.5	0.5	13	13	8	120	22	13	SLP10H-130E2V	SLP10H-130E2S1V	66 x 48 x 124
1/2"	13	4.5	0.5	13	13	8	80	22	13	SLP15H-130E2	SLP15H-130E2S1	66 x 48 x 124
	13	4.5	0.5	13	13		120	22	13	SLP15H-130E2E	SLP15H-130E2S1E	66 x 48 x 124
	13	4.5	0.5	13	13	8	120	22	13	SLP15H-130E2V	SLP15H-130E2S1V	66 x 48 x 124
3/4"	20	7.6	0.5	13	13	8	80	22	13	SLP20HE2	SLP20HE2S1	75 x 58 x 130
	20	7.6	0.5	13	13		120	22	13	SLP20HE2E	SLP20HE2S1E	75 x 58 x 130
	20	7.6	0.5	13	13	8	120	22	13	SLP20HE2V	SLP20HE2S1V	75 x 58 x 130
1"	25	12	0.5	13	13	8	80	22	13	SLP25HE2	SLP25HE2S1	96 x 70 x 143
	25	12	0.5	13	13		120	22	13	SLP25HE2E	SLP25HE2S1E	96 x 70 x 143
	25	12	0.5	13	13	8	120	22	13	SLP25HE2V	SLP25HE2S1V	96 x 70 x 143
1-1/4"	35	22	0.5	8	8	8	80	22	13	SLP32H-350E2	SLP32H-350E2S1	131 x 96 x 158
	35	22	0.5	8	8		120	22	13	SLP32H-350E2E	SLP32H-350E2S1E	131 x 96 x 158
	35	22	0.5	8	8	8	120	22	13	SLP32H-350E2V	SLP32H-350E2S1V	131 x 96 x 158
1-1/2"	40	30	0.5	8	8	8	80	22	13	SLP40HE2	SLP40HE2S1	131 x 96 x 158
	40	30	0.5	8	8		120	22	13	SLP40HE2E	SLP40HE2S1E	131 x 96 x 158
	40	30	0.5	8	8	8	120	22	13	SLP40HE2V	SLP40HE2S1V	131 x 96 x 158
2"	50	48	0.5	8	8	8	80	22	13	SLP50HE2	SLP50HE2S1	165 x 120 x 179
	50	48	0.5	8	8		120	22	13	SLP50HE2E	SLP50HE2S1E	165 x 120 x 179
	50	48	0.5	8	8	8	120	22	13	SLP50HE2V	SLP50HE2S1V	165 x 120 x 179
Flange connection	25	12	0.5	8	8	8	80	22	13	---	SLPF25HE2S1	134 x 110 x 172
	25	12	0.5	8	8		120	22	13	---	SLPF25HE2S1E	134 x 110 x 172
	25	12	0.5	8	8	8	120	22	13	---	SLPF25HE2S1V	134 x 110 x 172
Flange connection	35	22	0.5	8	8	8	80	22	13	---	SLPF32-350HE2S1	160 x 135 x 187
	35	22	0.5	8	8		120	22	13	---	SLPF32-350HE2S1E	160 x 135 x 187
	35	22	0.5	8	8	8	120	22	13	---	SLPF32-350HE2S1V	160 x 135 x 187
Flange connection	40	30	0.5	8	8	8	80	22	13	---	SLPF40HE2S1	160 x 145 x 192
	40	30	0.5	8	8		120	22	13	---	SLPF40HE2S1E	160 x 145 x 192
	40	30	0.5	8	8	8	120	22	13	---	SLPF40HE2S1V	160 x 145 x 192
Flange connection	50	48	0.5	8	8	8	80	22	13	---	SLPF50HE2S1	200 x 160 x 219
	50	48	0.5	8	8		120	22	13	---	SLPF50HE2S1E	200 x 160 x 219
	50	48	0.5	8	8	8	120	22	13	---	SLPF50HE2S1V	200 x 160 x 219

2V Series 2/2 Solenoid Valve(Normal Close)

2V

2/2 Solenoid Valve (N.C.)



Product Features

- Normal close, brass body
- Multiple seals are available for different medium
- Sizes range from 1/8" to 1"
- Direct acting/diaphragm pilot solenoid valve, with lower working pressure
- To reduce the power consumption of 80% energy-saving

How to Order?

Series No.	Orifice	Port Size	ID Code	Voltage	Seal Material	Thread Type
2V	025: 2.5mm 130: 13mm 250: 25mm	06: 1/8" 06: 1/4" 10: 3/8" 15: 1/2" 20: 3/4" 25: 1"	Blank: Standard type N: Low power type	E1: AC110V E5: DC12V E2: AC220V E6: AC36V E3: AC380V E7: AC24V E4: DC24V	Blank: NBR E: EPDM V: VITON	Blank: G P: PT T: NPT

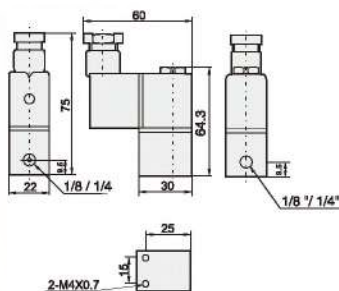
Order Example:

2V series solenoid valve, 13mm orifice, 1/2 port size, standard type, DC24V, EPDM seal, G thread, ERP code is: 2V130-15E4E

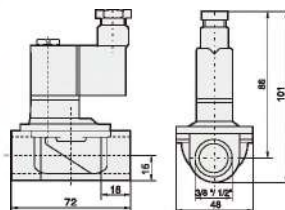
Note: Connection type is DIN connector.

Main Dimension

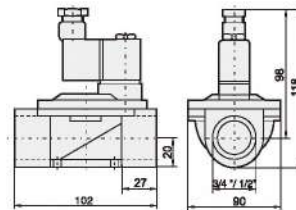
2V025



2V130



2V250



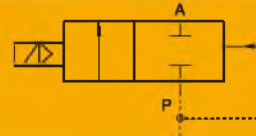
Specifications

Model	2V025-06	2V025-08	2V130-10	2V130-15	2V250-20	2V250-25
Working medium	Air, Water, Steam					
Acting type	Direct acting type, N.C.		Pilot type, N.C.			
Orifice(mm)	2.5		13		25	
Cv value	0.23		6		23	
Port size	1/8"	1/4"	3/8"	1/2"	3/4"	1"
Fluid viscosity	20 CST以下					
Working pressure(Bar)	Air, Water, Oil : 0.8		Air, Water, Oil : 0.5~7			
Guaranteed pressure (Bar)	12		11			
Working temperature (°C)	-5 - 80					
Voltage range	-15 - 10%					
Protect class	IP65					
Power consumption	AC:7VA DC:6.5W					
Insulation	Class F					
Valve body material	Brass					
Seal material	NBR or VITON		NBR			
Shortest activate time	0.05s / second					

SLG Series 2/2 Solenoid Valve(Normal Open)

SLG

2/2 Solenoid Valve (N.O.)



SLG5404-15F



SLG5404-15

High Pressure
高压

Product Features

- * Normal close, brass body
- * High pressure, PTFE seal
- * Piston pilot solenoid valve with high working pressure and temperature
- * To reduce the power consumption of 80% energy-saving

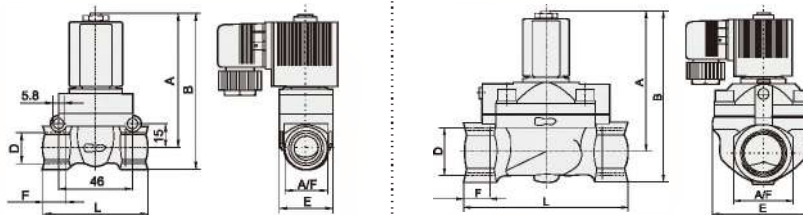
How to Order?

Series No.	Port Size	ID Code	Connection Mode	Coil Form	Thread Type	
SLG5404	15: 1/2" 20: 3/4" 25: 1"	Blank: Standard type N: Low power type	E1: AC110V E2: AC220V E3: AC380V E4: DC24V	E5: DC12V E6: AC36V E7: AC24V	Blank: DIN connector F: Flying leads	Blank: G P: PT T: NPT

Order Example:

SLG5404 Series solenoid valve, 1/2" port size, AC220V, DIN connector, G thread, ERP code is: SLG5404-15E2

Main Dimension



Model	Port size (G)	Orifice (mm)	A	B	F	E	L	A/F
SLG5404-15	12	1/2"	83	95.5	14	32	65	27
SLG5404-20	20	3/4"	99.5	119	16	60	92	40
SLG5404-25	25	1"	99.5	119	16	60	92	40

Specifications

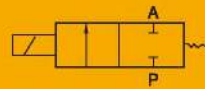
Model	SLG5404-15E2	SLG5404-20E2	SLG5404-25E2
Working medium	Air, Water, Oil		
Acting type	Pilot type		
Orifice (mm)	12	20	25
Cv value	2	5	10
Port size	1/2"	3/4"	1"
Working pressure (Bar)	Air :1-50, Liquid:1-50	Air :1-40, Liquid:1-25	Air :1-40, Liquid:1-25
Guaranteed pressure(Bar)	75	60	
Voltage range	-15 - 10%		
Working temperature (°C)	-5 - 150		
Power consumption	AC:5.5VA, DC:9W		
Body material	Brass		
Seal material	PTFE		

Voltage: AC220V

HUS Series 2/2 Solenoid Valve(Normal Close)

HUS

2/2 Solenoid Valve (N.C.)



How to Order?

Series No.	Port Size	Voltage	Orifice	Body Material
HUS	10: 3/8" 15: 1/2" 20: 3/4" 25: 1" 35: 1-1/4" 40: 1-1/2" 50: 2" F: Flange connections	E1: AC110V E2: AC220V E4: DC24V	15L=15.0mm 20L=20.0mm 25L=25.0mm 35L=35.0mm 40L=40.0mm 50L=50.0mm	S2: SS304 Stainless steel body

Order Example:

HUS series solenoid valve, 2/2, AC110V, 3/8 port size, orifice 15mm, Stainless steel body, ERP code is HUS10E1-15LS2

Specifications

Model	Port size	Orifice (mm)	CV	The pressure difference			Max. fluid temperature (°C)
				Min. pressure	Max. working pressure		
					Heat conduction oil	Steam	
HUS10E2-15LS2	3/8"	15	4.5	0.5	16	16	250
HUS16E2-16LS2	1/2"	15	4.5	0.5	16	16	250
HUS20E2-20LS2	3/4"	20	8	0.5	16	16	250
HUS25E2-25LS2	1"	25	12	0.5	16	16	250
HUS35E2-35LS2	1-1/4"	35	22	0.5	16	16	250
HUS40E2-35LS2	1-1/2"	35	22	0.5	16	16	250
HUS50E2-50LS2	2"	50	45	0.5	16	16	250
HUSFE2-25LS2	Flange	25	12	0.5	16	16	250
HUSFE2-32LS2	Flange	32	22	0.5	16	16	250
HUSFE2-40LS2	Flange	40	22	0.5	16	16	250
HUSFE2-50LS2	Flange	50	45	0.5	16	16	250

UW Series 2/2 Solenoid Valve(Normal Close)

UW

2/2 Solenoid Valve (N.C.)



How to Order?

Series No.	Port Size	Voltage	Connection Type	Cover Color	Seal Material	Thread Type
UW	10: 3/8" 15: 1/2" 20: 3/4" 25: 1" 35: 1-1/4" 40: 1-1/2" 50: 2"	E1: AC110V E2: AC220V E4: DC24V E5: DC12V E7: AC24V	Blank: DIN connector	Blank: Black	Blank: NBR E: EPDM V: VITON	Blank: G P: PT T: NPT

Order Example:

UW series solenoid valve, Brass valve body, 1/2 port size, Normal close, AC220V, DIN connection, Black cover, G thread, ERP code is: UW15E2

Specifications

Model	UW10	UW15	UW20	UW25	UW35	UW40	UW50
Orifice (mm)	16	16	20	25	35	40	50
CV	4.8	4.8	7.6	12	24	29	48
Pressure range (MPa)	0~0.8			0~0.7			
Acting type	Step pilot						
Working medium	Air, water, light oil						
Working temperature (°C)	-5~80°C (No freezing)						
Power	AC:33VA DC: 20W			AC:70VA DC: 40W			

2

UW

US Series 2/2 Solenoid Valve(Normal Close)

US

2/2 Solenoid Valve (N.C.)



How to Order?

Series No.	Port size	Voltage	Connection Mode	Seal material	Thread type
US Series	10: 3/8" 15: 1/2" 20: 3/4" 25: 1" 35: 1-1/4" 40: 1-1/2" 50: 2"	E1: AC110V E2: AC220V E3: AC380V E4: DC24V E5: DC12V E6: AC36V E7: AC24V	Blank: DIN Connector F: Flying leads	Blank: PTFE	Blank: G P: PT T: NPT

Order Example:

US series, 2 position, 2 port, PTFE, 3/8" port size, AC220V, ERP code is: US10E2

Specifications

Model	US10E2	US15E2	US20E2	US25E2	US35E2	US40E2	US50E2
Working Medium	Air, Water, Steam						
Acting Type	Pilot Type						
Type	Normal Close Type						
Orifice(mm)	17		22		30		50
Cv Value	5		12		20		48
Port Size	3/8"	1/2"	3/4"	1"	1-1/4"	1-1/2"	2"
Fluid Viscosity	Below 20 CST						
Working Pressure(Bar)	1-15						
Max. Pressure Resistance(Bar)	23						
Working Temperature(°C)	-5-180						
Voltage Range	+10%						
Valve Body Material	Brass						
Seal Material	PTFE						

EMCJ Series Full Stainless Steel Series Angle Valve

EMCJ

Full Stainless Steel Series Angle Valve



Product Features

- * Normal close/Normal open full stainless steel angle valve, available body: SS304, SS316
- * Multiple seals are available for different medium
- * Wide size range from 3/8" to 2"

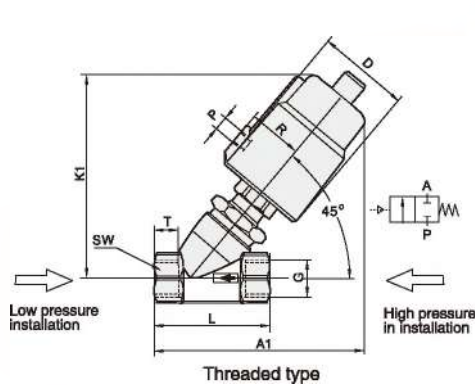
How to Order?

Series No.	Port Size	Actuator Size	Acting Type	Valve Body Material	ThreadType
EMCJ: Stainless Steel Series Angle Valve	10: 3/8" 15: 1/2" 20: 3/4" 25: 1" 32: 1-1/4" 40: 1-1/2" 50: 2"	40: Φ 40mm 50: Φ 50mm 63: Φ 63mm 80: Φ 80mm 100: Φ 100mm	Blank: NC Single Acting H: NO Single Acting D: Double acting	S1: SS316 S2: SS304	Blank: G P: PT T: NPT

Order Example:

EMCJ series full stainless steel angle seat valve, 3/8 port size, 40mm actuator size, NC single acting, SS316 valve body, G thread, ERP code is: EMCJ-10-40S1

Main Dimension



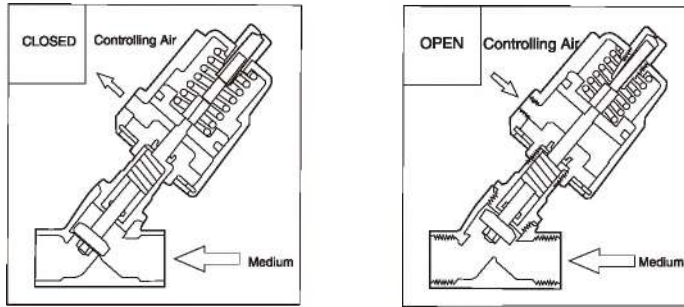
Size	Actuator (mm)	D (mm)	R (mm)	P	Thread					
					G	K1 (mm)	A1 (mm)	L (mm)	T (mm)	SW (mm)
DN10	40	50.5	27	1/8"	3/8"	115	120	68	12	22
	50	62	34	1/8"	3/8"	126	133	68	12	22
DN15	40	50.5	27	1/8"	1/2"	115	120	68	15	25
	50	62	34	1/8"	1/2"	126	133	68	15	25
DN20	50	62	34	1/8"	3/4"	131	137	75	16	31
	50	62	34	1/8"	1"	140	149	100	17	39
DN25	63	77	41.5	1/8"	1"	165	174	100	17	39
	63	77	41.5	1/8"	1-1/4"	175	188	116	21	50
DN32	80	98	52	1/4"	1-1/4"	185	203	116	21	50
	100	121	63	1/4"	1-1/4"	205	215	116	21	50
	63	77	41.5	1/8"	1-1/2"	178	190	116	21	56
DN40	80	98	52	1/4"	1-1/2"	187	204	116	21	56
	100	121	63	1/4"	1-1/2"	208	216	116	21	56
DN50	63	77	41.5	1/8"	2"	184	203	136	22	68
	80	98	52	1/4"	2"	195	218	136	22	68
	100	121	63	1/4"	2"	215	230	136	22	68

Specifications

Model	EMCJ10-50	Model	EMCJ10-50
Port size	DN10-DN50	Temperature of medium(°C)	PTFE: -10 ~ +180
Thread	G3/8"-G2"	Ambient temperature(°C)	-10 ~ +60
Body material	CF8M	Viscosity(mm ² /s)	Max600
Actuator material	CF8	Installation	any position
Seal seal	PTFE	Controlling medium	air/neutral gas
Stem seal	PTFE/FKM	Controlling pressure (Bar)	3-10
Applicable medium	water,neutral gas or liquid,ethanol,oil,organic solvent,steam,alkalescent and weak acid solution		

EMCJ Series Full Stainless Steel Series Angle Valve

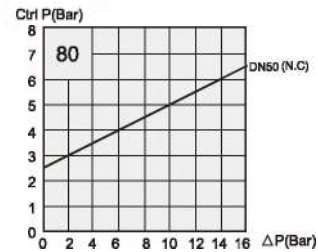
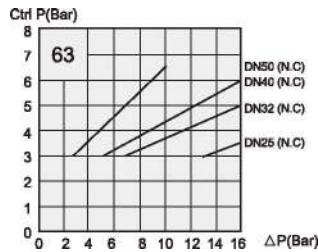
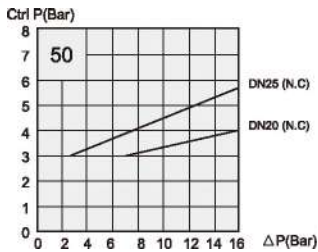
Flow direction: UP the seat, single acting normal close /open



Specifications

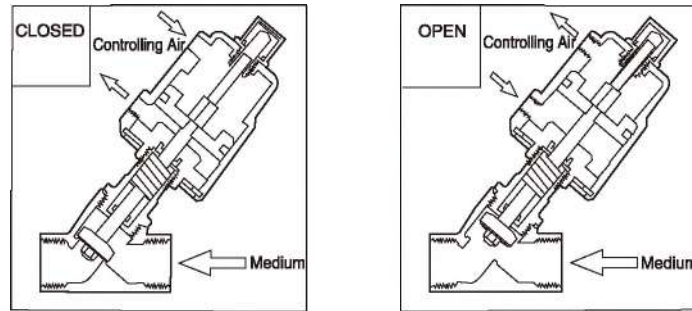
Type	Port size	Orifice (mm)	Actuator (mm)	Kv valve	Working pressure (Bar)	Normal Close		Normal Open		Order code	
						Admitted differential pressure range (Bar)	Control pressure range (Bar)	Admitted differential pressure range (Bar)	Control pressure range (Bar)	N.C. Normal close single acting	N.O. Normal open single acting
DN10	G3/8"	13	40	4.7	16	0-16	≥ 4	-	-	EMCJ10-40	-
	G3/8"	13	50	4.7		0-16	≥ 3	0-16	3	EMCJ10-50	EMCJ10-50H
DN15	G1/2"	13	40	4.7		0-16	≥ 4	-	-	EMCJ15-40	-
	G1/2"	13	50	4.7		0-16	≥ 3	0-16	3	EMCJ15-50	EMCJ15-50H
DN20	G3/4"	18	50	9.5		0-16	3-4	0-16	3	EMCJ20-50	EMCJ20-50H
DN25	G1"	24	50	18.1		0-16	3-5.5	-	-	EMCJ25-50	-
	G1"	24	63	18.1		0-16	3-3.5	0-16	3.5	EMCJ25-63	EMCJ25-63H
DN32	G1-1/4"	31	63	23.1		0-16	3-5	0-14	3.9	EMCJ32-63	EMCJ32-63H
DN40	G1-1/2"	35	63	32.9		0-16	3-6	0-11	3.9	EMCJ40-63	EMCJ40-63H
DN50	G2"	45	63	52.8		0-10	3-6.5	0-6	3.9	EMCJ50-63	EMCJ50-63H
	G2"	45	80	52.8		0-16	3-6.6	0-12	4.5	EMCJ50-80	EMCJ50-80H

Flow Chart



EMCJ Series Full Stainless Steel Series Angle Valve

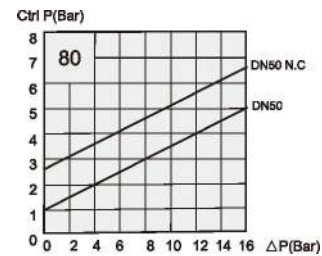
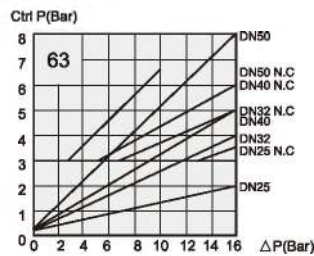
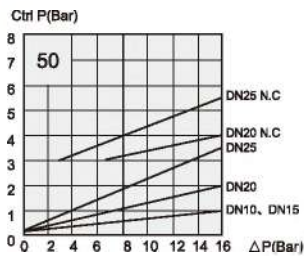
Flow direction: UP the seat, double acting normal close /open



Specifications

Type	Port size	Orifical (mm)	Actuator (mm)	Kv valve	Working pressure 180°C max (Bar)	Admitted pressure difference (Bar)	Control pressure		Model	
							Double acting (N.C) (Bar)	Double acting free installation (Bar)	Double acting (N.C)	Double acting free installation
DN10	G3/8"	13	40	4.7	16	0-16	≅ 4	0-2	EMCJ10-40DC	EMCJ10-40D
DN10	G3/8"	13	50	4.7		0-16	≅ 3	0-1	EMCJ10-50DC	EMCJ10-50D
DN15	G1/2"	13	40	4.7		0-16	≅ 4	0-2	EMCJ15-40DC	EMCJ15-40D
DN15	G1/2"	13	50	4.7		0-16	≅ 3	0-1	EMCJ15-50DC	EMCJ15-50D
DN20	G3/4"	18	50	9.5		0-16	3-4	0-2	EMCJ20-50DC	EMCJ20-50D
DN25	G1"	24	50	18.1		0-16	3-5.5	0-3.5	EMCJ25-50DC	EMCJ25-50D
DN25	G1"	24	63	18.1		0-16	3-3.5	0-2	EMCJ25-63DC	EMCJ25-63D
DN32	G1-1/4"	31	63	23.1		0-16	3-5	0-4	EMCJ32-63DC	EMCJ32-63D
DN40	G1-1/2"	35	63	32.9		0-16	3-6	0-5	EMCJ40-63DC	EMCJ40-63D
DN50	G2"	45	63	52.8		0-10	3-8.5	0-5	EMCJ50-63DC	EMCJ50-63D
DN50	G2"	45	80	52.8		0-16	3-6.6	0-5	EMCJ50-80DC	EMCJ50-80D

Flow Chart



EMCP Plastic Actuator Series Angle Valve

EMCP

Plastic Actuator Series Angle Valve



Product Features

- * Normal close/Normal open plastic actuator angle valve, available body: SS304, SS316
- * Multiple seals are available for different medium
- * Wide size range from 3/8" to 2"
- * Better cost performance

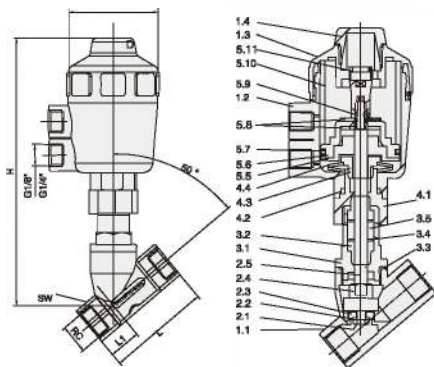
How to Order?

Series No.	Port Size	Actuator Size	Acting Type	Valve Body Material	Thread Type
EMCP: Plastic Actuator Angle Valve	15: 1/2" 20: 3/4" 25: 1" 32: 1-1/4" 40: 1-1/2" 50: 2"	50: ϕ 50mm 63: ϕ 63mm 80: ϕ 80mm	Blank: N.C. Single Acting H: N.O. Single Acting D: Double acting	S1: SS316 S2: SS304	Blank: G P: PT T: NPT

Order Example:

EMCP series Plastic Actuator Angle Valve, 3/8" port size, 40mm actuator size, NC single acting, SS316 valve body, G thread, ERP code is: EMCP-10-40S1

Main Dimension



Main Dimension(mm)							
DN	Port size	L	L1	SW	H	D	Actuator size
10	3/8"	55	17	21	170	54	50
15	1/2"	70	21	26.5	185	63	50
20	3/4"	76	23	32	190	63	50
25	1"	90	25	40	200	63	50
32	1-1/4"	116	32	50	240	81	63
40	1-1/2"	116	32	55.5	280	96	80
50	2"	138	40	68.5	295	96	80

List of parts		
1.1 Body	3.1 Screw connector	5.5 Piston
1.2 Cylinder	3.2 V sealing	5.6 Flange
1.3 Cylinder head	3.3 Seal ring	5.7 Seal ring
1.4 Ornament cover	3.4 Gasket	5.8 Gasket
2.1 Bolt	3.5 Spring	5.9 Hexagon nut
2.2 Orifice plate seal	4.1 Connecting nut	5.10 Spring
2.3 Seal disc	4.2 Seal ring	5.11 Position indicator
2.4 Disc	4.3 Lock nut	
2.5 Stem	4.4 Leaf spring	

Specifications

Model	EMCP10-50	Model	EMCP10-50
Port size	DN10-DN50	Temperature of medium	PTFE: -10° - 180° FPM: -10° - 100°
Thread	3/8" - 1/2"	Viscosity	max 600mm ² /s
Body material	Stainless steel SS316/SS304	Installation	any position
Actuator material	Engineering plastic	Controlling medium	air/neutral gas
Seat seal	PTFE/FPM	Controlling pressure (Bar)	3-8
Stem seal	PTFE/FPM	Working Pressure(Bar)	0-16
Piston seal	FPM/NBR		
Applicable medium	water, neutral gas or liquid, ethanol, oil, organic solvent, steam,		

Connector



How to Order?

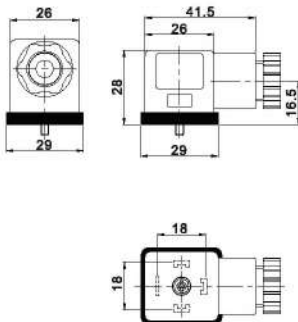
Series No.	Power type	Voltage	Cover Color	Logo	LED Lamp	Protective Device
DA: DIN43650 A type(ISO4400) DB: B type(Industrial) DC: C type(Industrial) DBK: B Type(water-proof industrial) DBM: B Type(M8 connector)	A: AC D: DC Not available for DBK/DBM	1: 12V-48V 2: 110V-220V 3: 380V	Blank: Brown translucent J: Colorless transparent B: Black non-transparent Note:DBK/DBM is Black non-transparent only	Blank: Without "EMC" logo E: With "EMC" logo Note: *Available for customer's logo. *DBM is not available for EMC logo.	Blank: Without LED lamp L: With LED lamp Note: DC current is with colorless and transparent lamp, with red light when power on. If wrong wiring with green light AC current is with red lamp and with red light if be power on.	Blank: None R: Varistor D: Diode
Note: All include rubber seal.		Note: *Only applicable to LED lamp *Only applicable to DA type *DBM is applicable to 12V-48V only				

Order Example:

Industrial B type, AC220V, Brown translucent cover, with "EMC" logo and LED lamp, with Piezoresistor, the model No. is: DB-A2ELR

Main Dimension

DA



43650A Connector

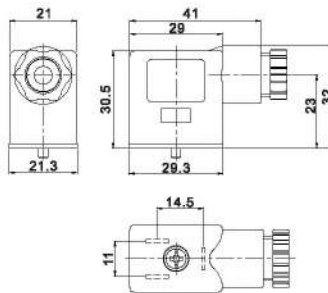
DB



DBK

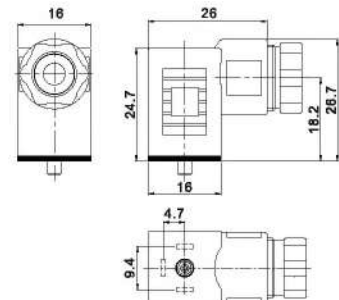


DBM



43650B Connector

DC



43650C Connector

Coil



How to Order?

Series No.	Coil Type	Connection Mode	Suitable Series	Voltage	Cover color
X: Coil	Blank: standard coil A: Amisco coil H: Thermosetting Coil	D: DIN coil+ connector C: DIN coil F: Flying leads coil	V1: 1 series directional valve V2: 2/3/4 series directional valve SLP: SLP series process valve ZS: ZS series process valve	E1: AC110V E6: AC36V E2: AC220V E7: AC24V E3: AC380V E8: DC110V E4: DC24V E9: DC48V E5: DC12V E10: DC36V	Blank: Brown translucent J: Colorless and translucent B: Black translucent

RV valve: DIN coil is thermosetting coil
Flying leads coil is standard coil

Note: Pls check following attachment for connectors and coils. Other types will be non-standard.

<p>Original code VC1-DJ</p> <p>Orifice: ϕ8mm L x W x H: 22x17x33.5mm</p> 	<p>Original code VC2-DJ</p> <p>Orifice: ϕ9.2mm L x W x H: 28.2 x 22 x 29.5mm</p> 	<p>Original code SLG5404C-D</p> <p>Orifice: ϕ16.3mm L x W x H: 41.4 x 39.4 x 79.5mm</p> 			
<p>Coil code (with connector)</p> <p>X (A) D-V1-E1J X (A) D-V1-E2J X (A) D-V1-E3J X (A) D-V1-E4J X (A) D-V1-E5J X (A) D-V1-E6J X (A) D-V1-E7J X (A) D-V1-E8J X (A) D-V1-E9J X (A) D-V1-E10J</p>	<p>Connector code</p> <p>DC-A2JEL DC-A2JELR DC-A3JEL DC-D1JEL DC-D1JELR DC-A1JEL DC-A1JELR DC-D2JEL DC-D1JELR DC-D1JEL</p>	<p>Coil code (with connector)</p> <p>X (A) D-V2-E1J X (A) D-V2-E2J X (A) D-V2-E3J X (A) D-V2-E4J X (A) D-V2-E5J X (A) D-V2-E6J X (A) D-V2-E7J X (A) D-V2-E8J X (A) D-V2-E9J X (A) D-V2-E10J</p>	<p>Connector code</p> <p>OB-A2JELR OB-A2JELR OB-A3JELR OB-D1JELR OB-D1JELR OB-A1JELR OB-A1JELR OB-D2JELR OB-D1JELR OB-D1JELR</p>	<p>Coil code (with connector)</p> <p>XD-SLG5404D-E1 XD-SLG5404D-E2 XD-SLG5404D-E3 XD-SLG5404D-E4 XD-SLG5404D-E5 XD-SLG5404D-E6 XD-SLG5404D-E7 XD-SLG5404D-E8 XD-SLG5404D-E9 XD-SLG5404D-E10</p>	<p>Connector code</p> <p>DA-A2B DA-A2B DA-A3B DA-D1B DA-D1B DA-A1B DA-A1B DA-D2B DA-D1B DA-D1B</p>
<p>Original code SLPC</p> <p>Orifice: ϕ14.7mm L x W x H: 38.5 x 29 x 42mm</p> 	<p>Original code 2PC</p> <p>Orifice: ϕ9.2mm H: 29mm</p> 	<p>Original code ZSC-1D</p> <p>Orifice: ϕ16.3mm L x W x H: 54 x 38.5 x 40mm</p> 			
<p>Coil code (with connector)</p> <p>XD-SLP-E1 XD-SLP-E2 XD-SLP-E3 XD-SLP-E4 XD-SLP-E5 XD-SLP-E6 XD-SLP-E7 XD-SLP-E8 XD-SLP-E9 XD-SLP-E10</p>	<p>Connector code</p> <p>DA-A2B DA-A2B DA-A3B DA-D1B DA-D1B DA-A1B DA-A1B DA-D2B DA-D1B DA-D1B</p>	<p>Coil code (Flying leads)</p> <p>XF-2P-E1 XF-2P-E2 XF-2P-E3 XF-2P-E4 XF-2P-E5 XF-2P-E6 XF-2P-E7 XF-2P-E8 XF-2P-E9 XF-2P-E10</p>	<p>Connector code</p> <p>DA-A2B DA-A2B DA-A3B DA-D1B DA-D1B DA-A1B DA-A1B DA-D2B DA-D1B DA-D1B</p>	<p>Coil code (with connector)</p> <p>XD-ZS1-E1 XD-ZS1-E2 XD-ZS1-E3 XD-ZS1-E4 XD-ZS1-E5 XD-ZS1-E6 XD-ZS1-E7 XD-ZS1-E8 XD-ZS1-E9 XD-ZS1-E10</p>	<p>Connector code</p> <p>DA-A2B DA-A2B DA-A3B DA-D1B DA-D1B DA-A1B DA-A1B DA-D2B DA-D1B DA-D1B</p>
<p>Original code ZSC-2D</p> <p>Orifice: ϕ20.3mm H: 50mm</p> 	<p>Coil code (with connector)</p> <p>XD-ZS2-E1 XD-ZS2-E2 XD-ZS2-E3 XD-ZS2-E4 XD-ZS2-E5 XD-ZS2-E6 XD-ZS2-E7 XD-ZS2-E8 XD-ZS2-E9 XD-ZS2-E10</p>	<p>Connector code</p> <p>DA-A2B DA-A2B DA-A3B DA-D1B DA-D1B DA-A1B DA-A1B DA-D2B DA-D1B DA-D1B</p>	<p>Coil code (with connector)</p> <p>XD-ZS2-E1 XD-ZS2-E2 XD-ZS2-E3 XD-ZS2-E4 XD-ZS2-E5 XD-ZS2-E6 XD-ZS2-E7 XD-ZS2-E8 XD-ZS2-E9 XD-ZS2-E10</p>	<p>Connector code</p> <p>DA-A2B DA-A2B DA-A3B DA-D1B DA-D1B DA-A1B DA-A1B DA-D2B DA-D1B DA-D1B</p>	

Архангельск (8182)63-90-72
Астана (7172)727-132
Астрахань (8512)99-46-04
Барнаул (3852)73-04-60
Белгород (4722)40-23-64
Брянск (4832)59-03-52
Владивосток (423)249-28-31
Волгоград (844)278-03-48
Вологда (8172)26-41-59
Воронеж (473)204-51-73
Екатеринбург (343)384-55-89
Иваново (4932)77-34-06
Ижевск (3412)26-03-58
Иркутск (395)279-98-46
Казань (843)206-01-48
Калининград (4012)72-03-81
Калуга (4842)92-23-67
Кемерово (3842)65-04-62
Киров (8332)68-02-04
Краснодар (861)203-40-90
Красноярск (391)204-63-61
Курск (4712)77-13-04
Липецк (4742)52-20-81
Магнитогорск (3519)55-03-13
Москва (495)268-04-70
Мурманск (8152)59-64-93
Набережные Челны (8552)20-53-41
Нижний Новгород (831)429-08-12
Новокузнецк (3843)20-46-81
Новосибирск (383)227-86-73
Омск (3812)21-46-40
Орел (4862)44-53-42
Оренбург (3532)37-68-04
Пенза (8412)22-31-16
Пермь (342)205-81-47
Ростов-на-Дону (863)308-18-15
Рязань (4912)46-61-64
Самара (846)206-03-16
Санкт-Петербург (812)309-46-40
Саратов (845)249-38-78
Севастополь (8692)22-31-93
Симферополь (3652)67-13-56
Смоленск (4812)29-41-54
Сочи (862)225-72-31
Ставрополь (8652)20-65-13
Сургут (3462)77-98-35
Тверь (4822)63-31-35
Томск (3822)98-41-53
Тула (4872)74-02-29
Тюмень (3452)66-21-18
Ульяновск (8422)24-23-59
Уфа (347)229-48-12
Хабаровск (4212)92-98-04
Челябинск (351)202-03-61
Череповец (8202)49-02-64
Ярославль (4852)69-52-93

Киргизия (996)312-96-26-47 Казахстан (772)734-952-31 Россия (495)268-04-70

www.emc.nt-rt.ru || ech@nt-rt.ru